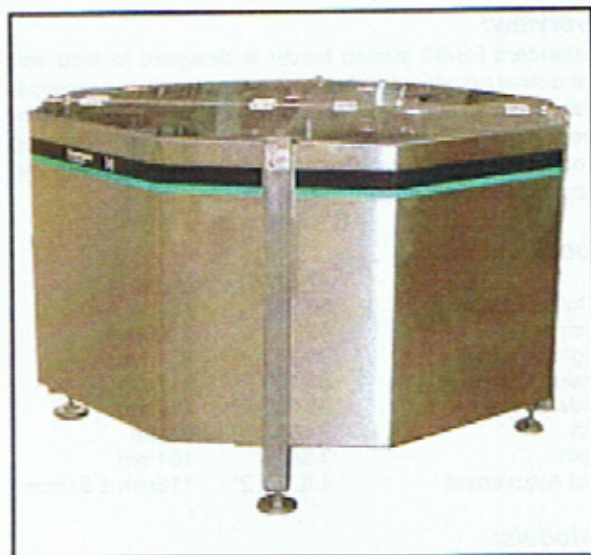




## FT-60-RD Centrifugal Feeder

Designed for Quiet, High Speed Feeding



### Product Overview:

Hoppmann's standard FT-60 rigid disc centrifugal feeder is designed to feed a variety of products with its unique bowl design. Product is metered into the bowl and brought out to the bowl rim where a series of qualifiers gently orient the part for transfer to various downstream inline devices.

### Product Specifications:

	ANSI	Metric
A. Outside Diameter	85"	2159mm
B. Frame Height	47" ± 1.5"	1194mm ± 40mm
C. Discharge Height	36" ± 2"	914mm ± 51mm
D. Bowl Outside Diameter	69.31"	1761mm
E. Bowl Inside Diameter	58"	1473mm
F. Rim Width	5.5"	140mm
G. Bowl Depth	9.13"	232mm

### Standard Models:

Part Number	FT601RLDSA	FT601RLASA
Motor Style	DC	AC
Motor Voltage	90V	208-230/460V
Horsepower	3/4 hp	560 W

### Standard Features:

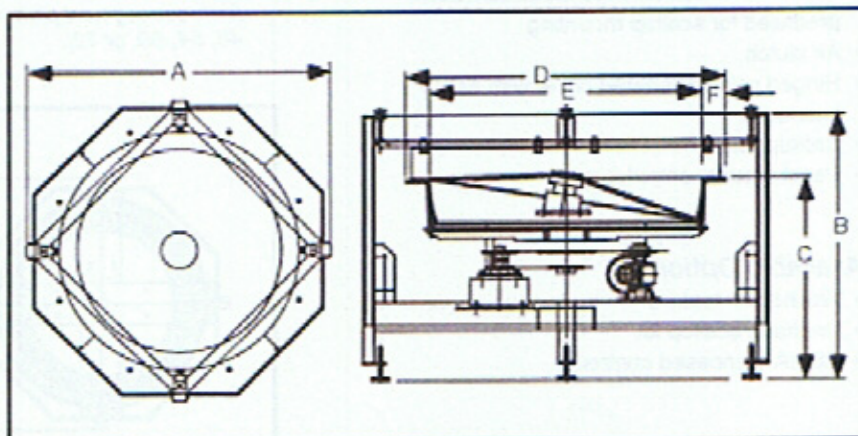
- All stainless steel construction
- FDA approved ABS vacuum formed disc
- Teflon hard-coated finished aluminium bowl
- Panel mount controller card
- Backup ring

### Available Options:

- Polycarbonate covers
- Dual motor drive system
- Washdown motor(s)
- NEMA 1 encased controller

### Required Accessories:

	CW	CCW
Backup Ring	BUCWFT60SU	BUCCF60SU



Hoppmann Corporation strives to improve its products and reserves the right to change or discontinue specifications & designs shown in this brochure without notice and without incurring obligation. 06/05

## Fujicon Engineering Pte Ltd

◆ No. 2, Tuas Link 1, Jurong Industrial Estate, Singapore 638590  
 ◆ Tel: (65) 6863 4011 ◆ Fax: (65) 6863 4022 ◆ Email: info@fujicon.com.sg  
[www.fujicon.com.sg](http://www.fujicon.com.sg)