



## L250A Label Applicator

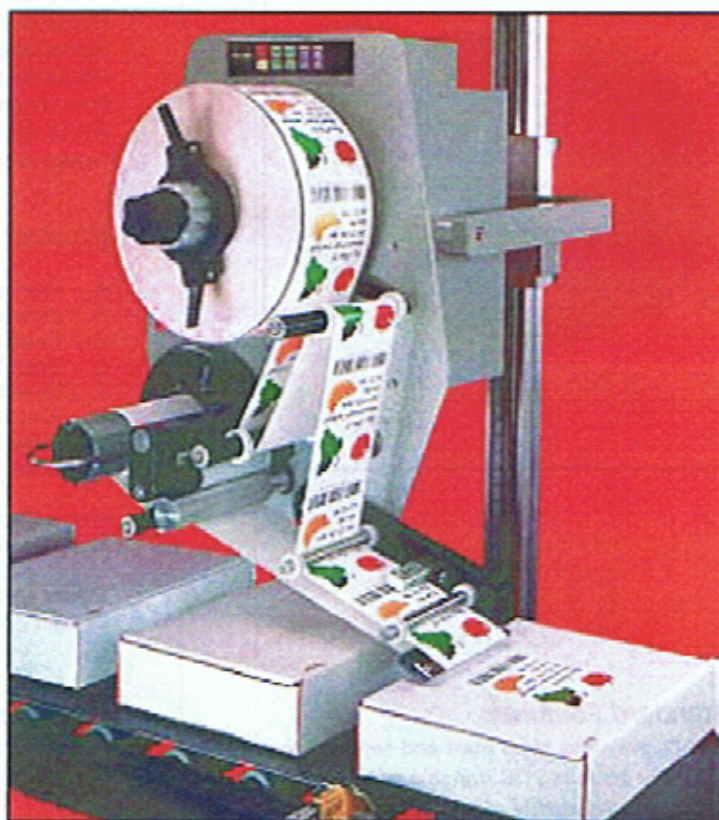
Stand Alone Pressure Sensitive Label Applicator

### Product Overview:

The Hoppmann L250A pressure sensitive label applicator is the proven, economical solution designed to meet the demands of expanding labeling requirements and higher production speeds.

Boost productivity and at the same time, provide accurate label placement with the addition of the L250A label applicator to your existing production line. Durable, industrial-grade construction assures you that the L250A label applicator will provide around-the-clock operation you can depend on.

The easy to use operator interface allows for quick changes to label speeds and position. Combine this with no tool changeover and label format auto-teach, it is easy to see why this unit is quickly becoming the new benchmark standard. Flexible design features and multiple application options allow you to easily tailor the L250A to cover your specific labeling needs.



Complete flexibility for top, side and bottom labeling

### Applicator Features

- ▶ 508 mm/sec (1,200'/min) label head speed
- ▶ Placement accuracy of  $\pm 0.032"$  (0.83mm)
- ▶ Center-line design supports either right- or left-handed applications
- ▶ 12" (305mm) diameter unwind roll standard
- ▶ On-the-fly web adjustments
- ▶ No tools required for roll changeover
- ▶ Label head applicator width is 5.5" (139mm)
- ▶ Wipe-on, tamp-on and blow-on application options available

### Fujicon Engineering Pte Ltd

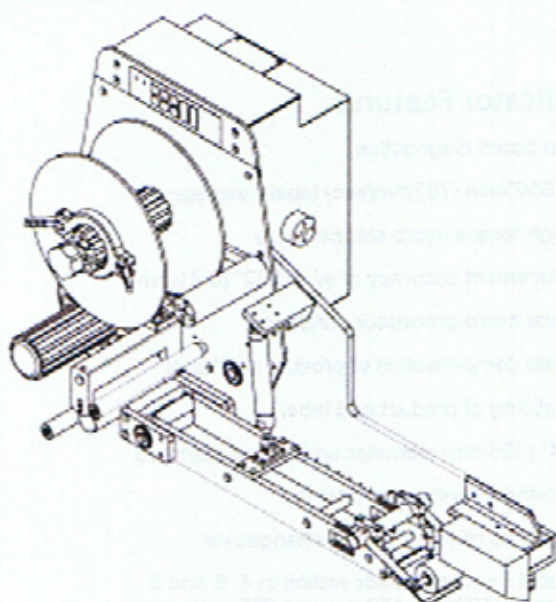
◆ No. 2, Tuas Link 1, Jurong Industrial Estate, Singapore 638590  
◆ Tel: (65) 6863 4011 ◆ Fax: (65) 6863 4022 ◆ Email: [info@fujicon.com.sg](mailto:info@fujicon.com.sg)  
[www.fujicon.com.sg](http://www.fujicon.com.sg)

### STANDARD APPLICATOR SPECIFICATIONS

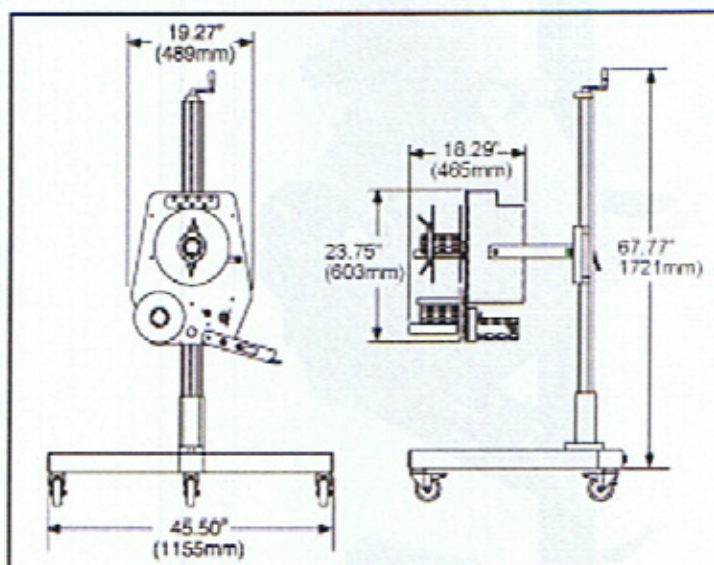
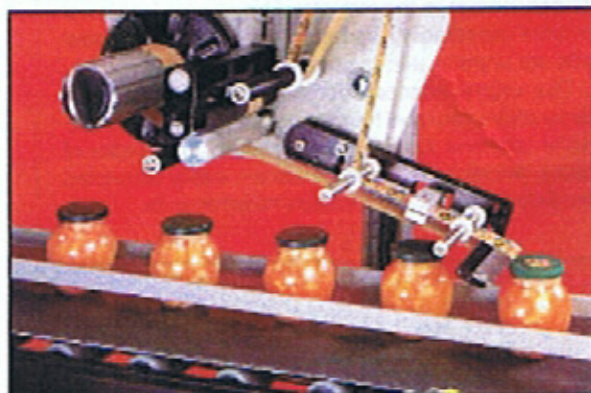
<b>Labeling Rate (ppm)</b>	150ppm* to 300ppm <small>*Dependent upon label &amp; applicator</small>
<b>Label Head Speed</b>	1,200/minute (508mm/sec)
<b>Accuracy</b>	+/- 0.032" (0.83mm)
<b>Controls</b>	Dual Processor
<b>Label Drive Motor</b>	High Torque Micro Stepper
<b>Unwind Roll Diameter</b>	12" (305mm) OD x 3" (76mm) ID
<b>Unwind Linear Adjustment</b>	1 5/8" (41.3mm) Linear Travel
<b>Product Detection</b>	Photo Eye
<b>Label Detection</b>	Programmable
<b>Machine Interface</b>	External Sub D. Connectors
<b>Power Requirements</b>	110/230 VAC, 60 Hz, 6 Amps
<b>Environment</b>	41-104°F, 5-40°C (25-85% Relative Humidity)

### Available Upgrades and Options

- Tamp-On Module
- Blow-On Module
- Wipe-On Module
- Swing Arm Pallet labeler
- Line encoder kit upgrades
- Adjustable "T" stands and machine mount su
- Label low level sensor and beacon fault upgrades
- Wipe-on brush accessory kits
- Transport conveyors and systems
- Systems integration and special automation
- Centrifugal Feeders, Unscramblers and Accumulators



L250A label applicator  
with 20" swing arm  
for pallet labeling  
(custom labels)



Hopmann Corporation continually strives to improve its products. Therefore, Hopmann reserves the right to change or discontinue specifications and designs shown in this brochure without notice and without incurring obligation. 06/05

## Fujicon Engineering Pte Ltd

◆ No. 2, Tuas Link 1, Jurong Industrial Estate, Singapore 638590  
 ◆ Tel: (65) 6863 4011 ◆ Fax: (65) 6863 4022 ◆ Email: [info@fujicon.com.sg](mailto:info@fujicon.com.sg)  
[www.fujicon.com.sg](http://www.fujicon.com.sg)