



L500A Label Applicator

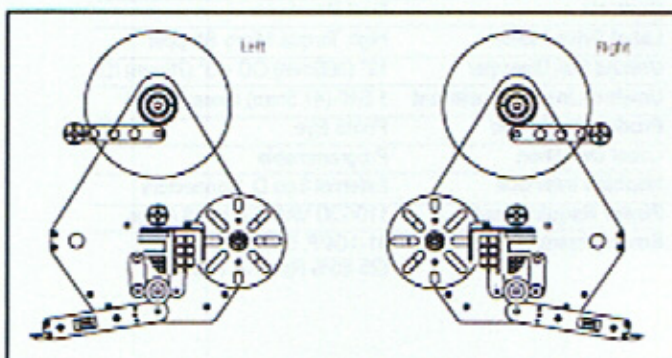
Stand Alone Pressure Sensitive Label Applicator

Product Overview:

Hoppmann's L500A pressure sensitive label heads and systems are designed to meet the needs of stand-alone applications, or the integration of multiple label heads into high speed product handling systems. The L500A label applicators are ergonomically designed to provide user friendly, seamless solutions for today's most demanding labeling applications.

The L500A's head design has one of the lowest label dispense inertias in the industry. This means less wear with more repeatability and precision. These new label heads are unparalleled in speed.

The unprecedented convertibility of the L500A chassis allows the label head to be converted from right-hand to left-hand justified, or vice versa, in a matter of minutes. Additionally, these heads are easily converted in the field for varying application requirements.



Applicator Features

- ▶ On board diagnostics
- ▶ 1,850'/min (762mm/sec) label head speed
- ▶ High torque micro stepper drive
- ▶ Placement accuracy of +/- 0.032" (0.81mm)
- ▶ Dual micro-processor controlled
- ▶ Rate compensation of product and label
- ▶ Ratiocing of product and label
- ▶ 14" (355mm) diameter unwind roll standard
- ▶ On-the-fly web adjustments
- ▶ No tools required for roll changeover
- ▶ Label head applicator widths in 4, 6 and 8 inches (102mm, 152mm and 203mm)
- ▶ Dual nip roller for less web breakage
- ▶ One button auto-teach for fast, easy repeatable changeover
- ▶ Programmable Label Sensor (no need for constant adjustment)

Fujicon Engineering Pte Ltd

◆ No. 2, Tuas Link 1, Jurong Industrial Estate, Singapore 638590
◆ Tel: (65) 6863 4011 ◆ Fax: (65) 6863 4022 ◆ Email: info@fujicon.com.sg
www.fujicon.com.sg

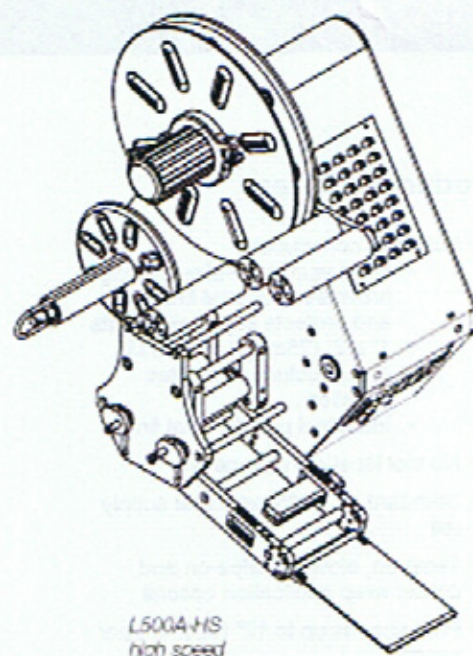
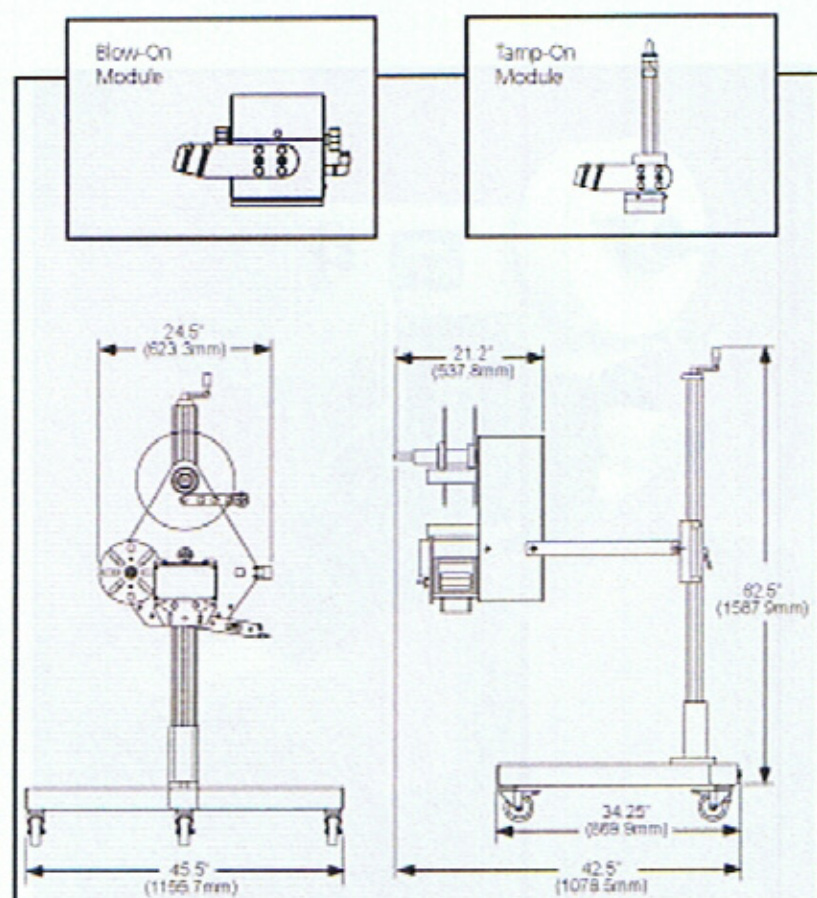


STANDARD APPLICATOR SPECIFICATIONS

Labeling Rate (ppm)	Up to 600ppm <i>*Dependent upon label & application</i>
Label Head Speed	1,850'/min (762mm/sec)
Accuracy	+/- .032" (0.83mm)
Controls	Dual Processor
Label Drive Motor	High Torque Micro Stepper
Unwind Roll Diameter	14" (356mm) OD x 3" (76mm) ID
Unwind Linear Adjustment	15/8" (41.3mm) Linear Travel
Product Detection	Photo Eye
Label Detection	Programmable
Machine Interface	External Sub D. Connectors
Power Requirements	115 VAC, 60 Hz, 6 Amps
Environment	41-104°F, 5-40°C (25-85% Relative Humidity)

Available Upgrades and Options

- Tamp-On Module
- Blow-On Module
- Wash down head
- Harsh environment head
- Line encoder kit upgrades
- Peeler plate adjustable brush or squeeze kit
- Label low level sensor and beacon fault upgrades
- High speed applicator
- Adjustable "T" stands and machine mount supports
- Inline labeling systems
- Rotary labeling systems
- Indexing product handling systems
- Transport conveyors and systems
- Systems integration and special automation
- Centrifugal Feeders, Unscramblers and Accumulators



L500A-HS
high speed
label head
2,400'/min
(1016mm/sec)

Hoppmann Corporation continually strives to improve its products. Therefore, Hoppmann reserves the right to change or discontinue specifications and design shown in this brochure without notice and without incurring obligation. 08/00

Fujicon Engineering Pte Ltd

◆ No. 2, Tuas Link 1, Jurong Industrial Estate, Singapore 638590
◆ Tel: (65) 6863 4011 ◆ Fax: (65) 6863 4022 ◆ Email: info@fujicon.com.sg
www.fujicon.com.sg