



WB-6 Wide Belt Prefeeder Designed for Fragile Parts Loading



Product Overview:

Hoppmann's WB-6 prefeeder is specially designed to handle fragile parts. Two independent variable speed drives and a standard level sensor ensures gentle product metering. Product drops from the upper belt to the lower belt where it is pulled away at a faster rate to assist in part separation and detangling.

Product Specifications:

	ANSI	Metric
A. Overall Width	51"	1295mm
B. Overall Length	72"	1829mm
C. Dump Height (adjustable)	48"±10"	1219mm±254
D. Load Height (adjustable)	74"±10"	1880mm±254
E. Angle of Feed	0°-11°	0°-11°

Standard Models:

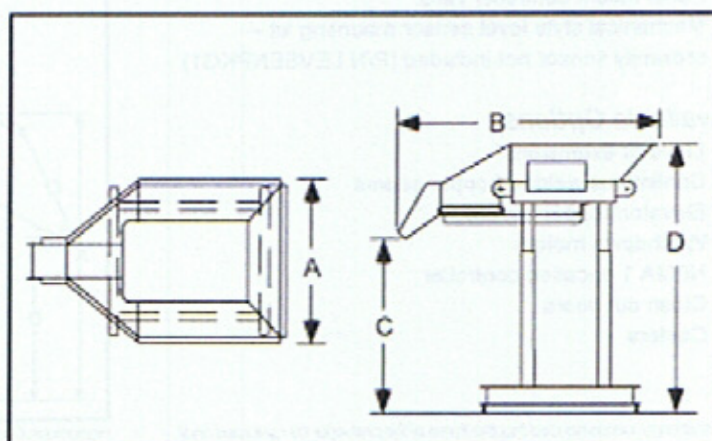
Part Number	WB06XXXDSA
Motor Style	DC
Horsepower - Upper Belt	1/8 hp/93 W
Horsepower - Lower Belt	1/30 hp/25 W
Motor Voltage	90V
Total Equipment Weight	650 lbs/295 kg
Supply Hopper Capacity	6 ft ³ /170 liters

Standard Features:

- All stainless steel construction
- Adjustable feed angle
- Sensor controlled dual belt metering system
- FDA/USDA approved white buna-n/polyester polyflake endless belting (upper belt)
- Durable reinforced black neoprene belt with fiberglass cord (lower belt)
- Panel mount controller card
- Mechanical style level sensor mounting kit – proximity sensor not included (P/N LEVSENPKG1)

Available Options:

- Continuous welded hopper seams
- Washdown motors
- NEMA 1 encased controller
- Hopper covers
- Casters



Hoppmann Corporation strives to improve its products and reserves the right to change or discontinue specifications & designs shown in this brochure without notice and without incurring obligation. 06/05

Fujicon Engineering Pte Ltd

◆ No. 2, Tuas Link 1, Jurong Industrial Estate, Singapore 638590
◆ Tel: (65) 6863 4011 ◆ Fax: (65) 6863 4022 ◆ Email: info@fujicon.com.sg
www.fujicon.com.sg